

Deck & Niche Light



AVAILABLE IN 5 FINISHES!

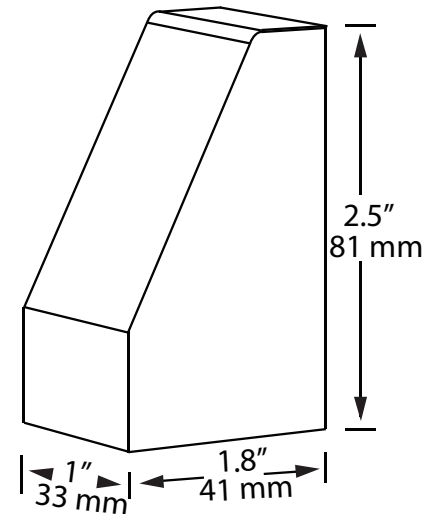


The perfect fixture for every application

A diminutive niche luminaire designed for mounting on posts, decks, railings and fences, or where a smaller but generous beamspread is required. With five quality finishes to choose from, this versatile fixture is an ideal choice for traverse lighting and illuminating patio and deck entry points, pool enclosures, small planter beds, pathways or around hardscape borders.

Available Construction/Finishes	
NYX	Heavy Gauge Copper
NYX-SS	316 Marine Grade Cast Stainless Steel
SIERRA	Solid Cast Red Brass
SILHOUETTE	Black Powder Coated Cast Stainless Steel
PROFILE	White Powder Coated Cast Stainless Steel

Deck & Niche Light



Specifications

Dimensions	Weight	Recommended Lamp	Wattage
1.8" x 2.5"	< 1lb	LED 19 mm T5 Wedge*	Maximum 20W
Construction	Socket	Voltage	Includes
Heavy gauge copper (Nyx), Marine grade SS (Nyx-SS), Solid cast, red brass (Sierra), Powder coated cast stainless steel (Profile, Silhouette)	T5 Wedge Socket	12V	8 feet UL listed lead wire *Lamp not included.

Sleek and Compact

Measuring just 1.8" x 2.5", this compact luminaire offers a 30 degree shroud for effortless mounting under post caps or other small profile deck and hardscape features. The updated design includes a recessed back and key hole slot for a flush mount and easy installation. 8 feet of UL listed wire also included.

Typical Applications

- Patio & deck entry points
- Pergolas & other structures
- Pool enclosures
- Fences
- Hardscape borders



Nyx, Nyx-SS, Sierra



Profile, Silhouette