

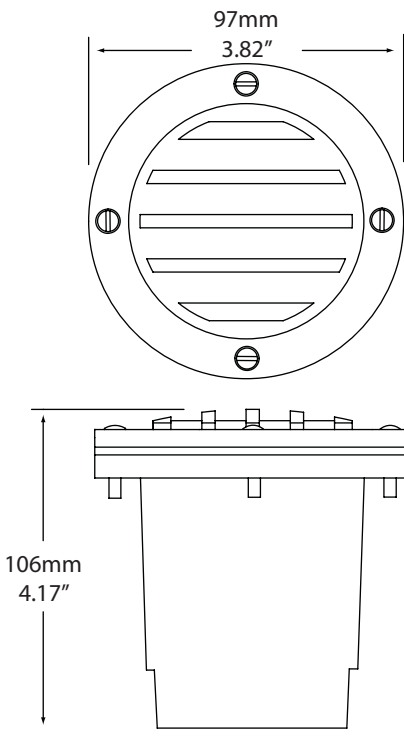
Solid Brass Inground Fixture

Sandy, our weathered brass well light, is designed to be buried in the ground and direct light upward into trees, grasses, and shrubs while hiding the light source.

Hiding our inground fixtures throughout your design will create the right effect without revealing the light source. Where stake mounted lights can create lighting hotspots - drawing the eye directly to the light source, Sandy won't detract attention from the beauty of your overall design.

To reduce potential fixture damage from lawnmowers, and other landscape tools, Sandy can be installed flush with the lawn, landscaped or hardscaped surface.

Sandy is especially effective in accenting the shapes of slim trees and tall grasses.



Voltage: 12V
Construction: Solid Cast Brass
Weight: 2.50 lbs
Finish: Weathered Red Brass
Lens Cover: Louvered or Unlouvered
Wire: 36" 18/2 UL Wire Factory Connected Wire
Socket: Beryllium Copper, MR16 GU5.3 socket pre-greased
Wattage: Maximum 20 Watts
Lens: Clear Convex Tempered Glass
Lamp Not Included

Recommended LED Lamps

LED 6W VWW 15 SP	6W MR16 2700K 15° Spot
LED 6W VWW 45 FL	6W MR16 2700K 45° Flood
LED 6W WW 15 SP	6W MR16 3000K 15° Spot
LED 6W WW 30 NFL	6W MR16 3000K 30° Narrow Flood
LED 6W WW 45 FL	6W MR16 3000K 45° Flood
LED 6W NW 15 SP	6W MR16 4000K 15° Spot
LED 6W NW 45 FL	6W MR16 4000K 45° Flood
LED 6W CW 15 SP	6W MR16 5500K 15° Spot
LED 6W CW 45 FL	6W MR16 5500K 45° Flood
LED 2X WW 15 SP	7W MR16 3000K 15° Spot
LED 2X WW 30 NFL	7W MR16 3000K 30° Narrow Flood
LED 2X WW 45 FL	7W MR16 3000K 45° Flood

