

# Solid Brass Underwater Fixture

To illuminate your water features and ponds, Brook, Illumicare's water-tight solid brass fixture, can be installed under water, or easily mounted to wood, masonry and natural stone elements close to the surface of the water.

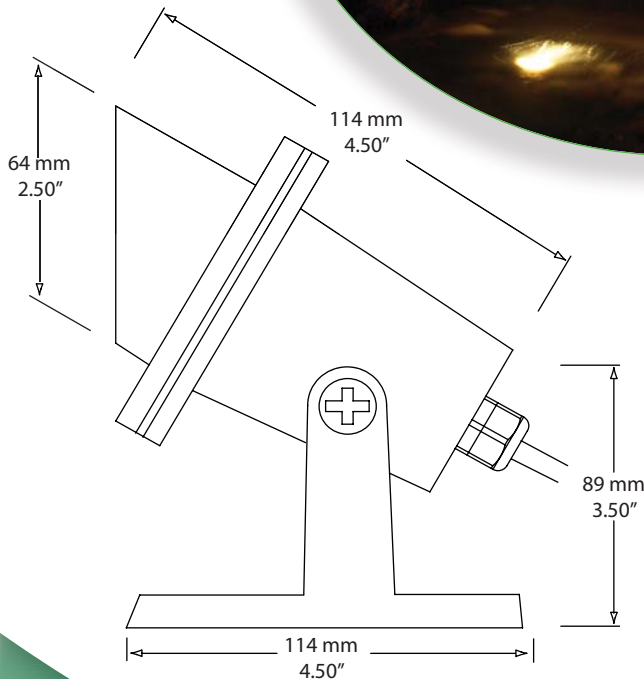
With a fully rotatable shroud, this landscape lighting fixture is perfect for under water uplighting. For safe installation in ponds and water gardens, Brook is designed with a water-tight housing gasket, a liquid-tight wireseal and 15 feet of water-resistant, double-jacketed cable.

To optimize the light output when installed under water, Brook features a clear tempered glass lens. Add 4000K or 5500K LED lamps and enjoy clear light that breaks the surface of the water and highlights marine life, while creating moving shadows both in and out of the water.



### Specifications

<b>Construction:</b>	Solid Cast Brass
<b>Dimensions:</b>	3.50 x 4.50"
<b>Finish:</b>	Weathered Red Brass
<b>Weight:</b>	3.0 lbs
<b>Wire:</b>	20' 18/2 UL Rated Lead Wire
<b>Socket:</b>	Beryllium Copper, Pre-Greased
<b>Lamp:</b>	LED MR16*
<b>Wattage:</b>	Maximum 20 Watts
<b>Lens:</b>	Clear Tempered Glass
<b>Voltage:</b>	12V



### Recommended LED Lamps

<b>LED 6W VWW 15 SP</b>	6W MR16 2700K 15° Spot
<b>LED 6W VWW 45 FL</b>	6W MR16 2700K 45° Flood
<b>LED 6W WW 15 SP</b>	6W MR16 3000K 15° Spot
<b>LED 6W WW 30 NFL</b>	6W MR16 3000K 30° Narrow Flood
<b>LED 6W WW 45 FL</b>	6W MR16 3000K 45° Flood
<b>LED 6W NW 15 SP</b>	6W MR16 4000K 15° Spot
<b>LED 6W NW 45 FL</b>	6W MR16 4000K 45° Flood
<b>LED 6W CW 15 SP</b>	6W MR16 5500K 15° Spot
<b>LED 6W CW 45 FL</b>	6W MR16 5500K 45° Flood
<b>LED 2X WW 15 SP</b>	7W MR16 3000K 15° Spot
<b>LED 2X WW 30 NFL</b>	7W MR16 3000K 30° Narrow Flood
<b>LED 2X WW 45 FL</b>	7W MR16 3000K 45° Flood

\*Lamp not included

