

Perfect for Illuminating Large Trees



Properly lighting large specimen trees can be challenging, but visually powerful when done correctly! Designed to be buried in-ground to direct light upwards while remaining discreet, these integrated LED, in-ground luminaires can be installed flush within a landscape or hardscape surface and especially effective for accenting large trees.



In-ground Luminaires



Specifications

EVIE - Directional, Round, In-ground Stainless Steel

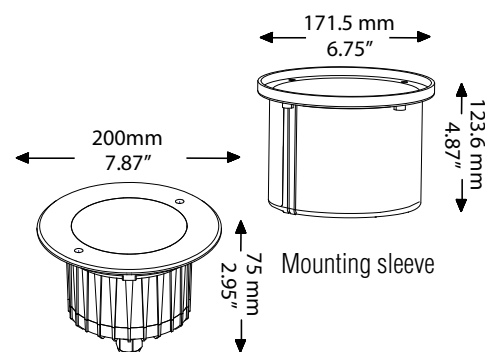
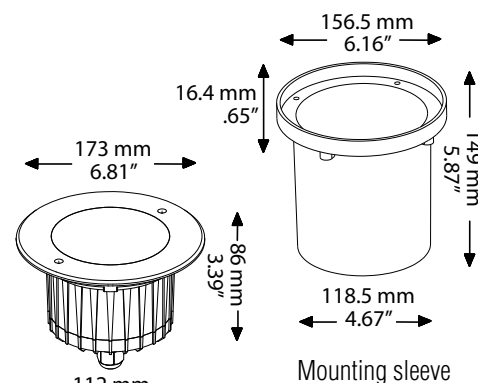
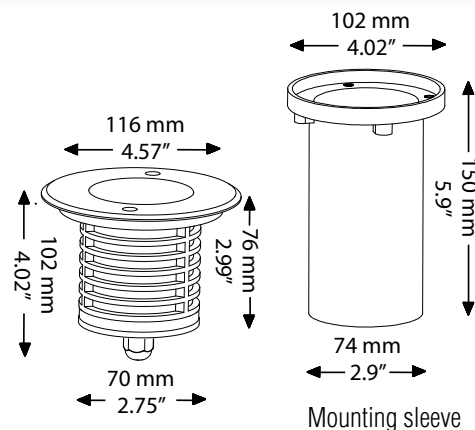
Lumen Output	359 Lumens
Color Temperature	3000K
Wattage	6 W
Lens	Asymmetrical
Voltage	12V
IP Rating	IP67
Includes	12" UL Listed 18/2 Lead Wire, ABS Pour Sleeve

ASTRID - Directional, Round, In-ground Stainless Steel

Lumen Output	709 Lumens
Color Temperature	3000K
Wattage	12 W
Lens	Asymmetrical
Voltage	12V
IP Rating	IP67
Includes	12" UL Listed 18/2 Lead Wire, ABS Pour Sleeve

NOVA - Directional, Round, In-ground Stainless Steel

Lumen Output	1605 Lumens
Color Temperature	3000K
Wattage	18 W
Lens	Asymmetrical
Voltage	12V
IP Rating	IP67
Includes	12" UL Listed 18/2 Lead Wire, ABS Pour Sleeve



A size for every application

Available in three sizes, these luminaires are constructed of stainless steel with an aluminum body, and a removable ABS sleeve for easy installation.

