

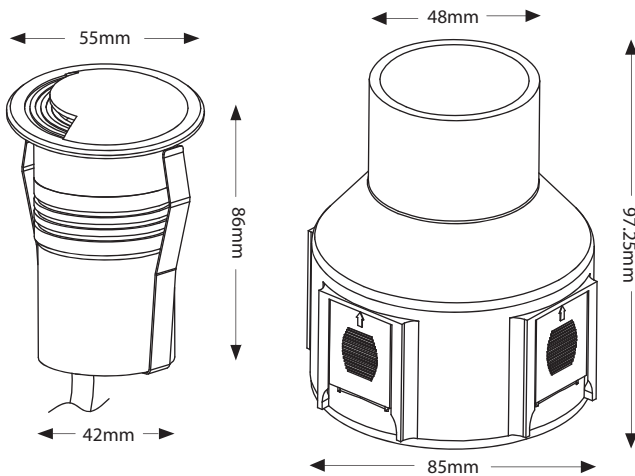
SYMPHONY HARDSCAPE INTEGRATED LED LUMINAIRES

The Brahms Series of integrated LED luminaires are ideal for applications which require low light levels, such as marking edges or pathways.

Brahms LEDs have a minimum illumination of 1 meter (3 feet) and include an ABS pour sleeve to assist in installation and anchoring of the luminaire body.

With three different spread options, the Brahms Series is perfect for marking any horizontal outdoor surfaces in your hardscape project, including drive ways, patios, the edges of ponds.

These durable and versatile luminaires can also be used to illuminate vertical surfaces, such as borders, low walls, steps, sunken seating areas, or fences.



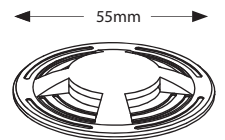
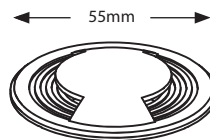
BRAHMS 1

70° Single Output, Marker, In-Grade, Stainless Steel

<i>Lumens:</i>	6.4 lumens
<i>Wattage:</i>	2.4 Watts
<i>Color Temp:</i>	3000K (Warm White)
<i>Lens:</i>	Flat .75" Tempered Glass
<i>Dimensions:</i>	2.5" x 2.5", Body: 3.25" x 1.6"
<i>Wire:</i>	12" UL Listed 18/2 Lead Wire
<i>Weight:</i>	1 lb
<i>Includes:</i>	ABS Pour Sleeve & Cap
<i>IP Rating:</i>	IP67
<i>Power:</i>	12V

Luminaire Mounting

The Brahms Series can be installed into concrete, natural stone, pavers, brick, and wood. The ABS pour sleeve can be positioned and wired before installing the LED body.



BRAHMS 2

70° Dual Output, Marker, In-Grade, Stainless Steel

<i>Lumens:</i>	6.4 lumens
<i>Wattage:</i>	2.4 Watts

BRAHMS 4

30° Quad Output, Marker, In-Grade, Stainless Steel

<i>Lumens:</i>	6.4 lumens
<i>Wattage:</i>	2.4 Watts

