

PRECISION ENGINEERED UP / DOWN LUMINAIRE

Erebus, Illumicare's wall mount bi-directional luminaire, is a precision engineered light fixture designed for architectural or pillar lighting applications where you need the fixture to be elegant, yet unobtrusive. The contemporary design of the luminaire compliments most architectural finishes and masonry.

Illumicare's directional luminaires use multiple MR16 lamps protected by 5mm (1/8") lenses to achieve a soft, ambient light.

Erebus, offered in both 316 marine grade stainless steel and solid machined copper, is designed for mounting on the surface of masonry, stone or wood.



EREBUS

Construction:	Machined 8mm Copper or 316 Marine Grade Stainless Steel
Dimensions:	3.66" x 2.48"
Lamp:	LED MR16*
Wattage:	Maximum 20 Watts
Lens:	1/8" Flat Tempered Glass
Socket:	Two Ceramic MR16 Socket
Wire:	UL Listed Lead Wire
Weight:	3.0 lbs
Voltage:	12V

*Lamp not included

Available
Finishes:



Copper

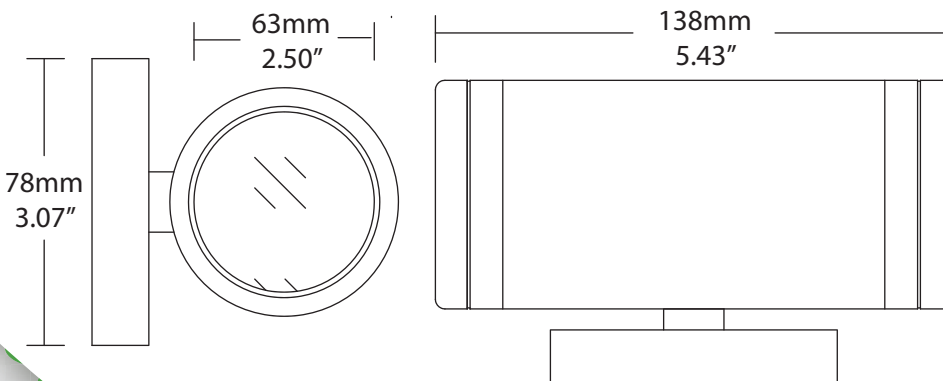


Stainless Steel



Luminaire Mounting

Erebus is mounted vertically to surfaces using two set screws, which can be inserted and tightened through machined holes on the mounting plate of the luminaire.



Recommended LED Lamps

LED 6W VWW 15 SP	6W MR16 2700K 15° Spot
LED 6W VWW 45 FL	6W MR16 2700K 45° Flood
LED 6W WW 15 SP	6W MR16 3000K 15° Spot
LED 6W WW 30 NFL	6W MR16 3000K 30° Narrow Flood
LED 6W WW 45 FL	6W MR16 3000K 45° Flood
LED 6W NW 15 SP	6W MR16 4000K 15° Spot
LED 6W NW 45 FL	6W MR16 4000K 45° Flood
LED 6W CW 15 SP	6W MR16 5500K 15° Spot
LED 6W CW 45 FL	6W MR16 5500K 45° Flood
LED 2X WW 15 SP	2X MR16 3000K 15° Spot
LED 2X WW 30 NFL	2X MR16 3000K 30° Narrow Flood
LED 2X WW 45 FL	2X MR16 3000K 45° Flood