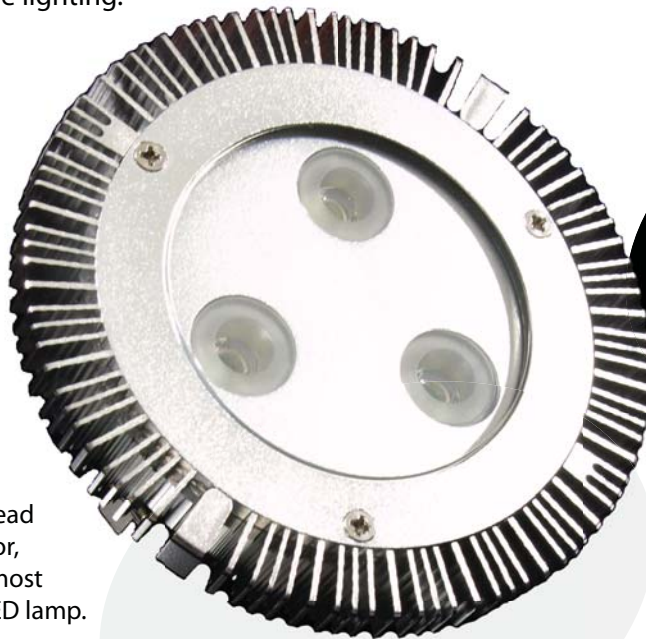


IP68 Rated PAR36 LED Lamp Specifications

Illumicare Group's new line of LED PAR36 lamps use some of the most advanced components currently available:

- CREE XR-E LED Chips,
- Proprietary Fully Stepped IC Drivers,
- Advanced Light Optics,
- And Unique Thermal Control Technologies.

Using CREE XR-E chips, our LED PAR36 lamps use only 5 to 13W of power and are currently available in a halogen equivalent colour temperature - warm white (3000K) - which closely mimics the light output of traditional PAR36 bulbs used in landscape lighting.



**Available in 3 LED,
5 LED and 7 LED
Configurations**

3000K - 15°, 30°, & 45°

**Up to
40,000
Hours**

Failure-Resistant

By using an IC driver instead of an electrolytic capacitor, we have eliminated the most problematic part of an LED lamp.

3 LED Warm White
250 - 350 Lumens
5.2 Watts
111.5mm x 62mm

Illumicare's innovative new fully-stepped LED IC driver is a first for the landscape lighting industry.

Our PAR36 LED is also equipped with optical grade polycarbonate collimators that allow light transmission at 45°, 30° and 15° beam spreads. With our unique optimized driver that was specifically developed to address heat issues, we are able to maximize the light output of the lamp while maintaining a lamp temperature below 45°C.

The unique thermal control also ensures the lamp is safe to the touch and has a life expectancy of over 10 times that of most halogen equivalents.

With an IP68 rating, providing total dust ingress and long-term immersion protection, Illumicare's PAR 36 lamps are built to withstand the harsh conditions of your landscape while still providing optimum performance in well and flood lighting fixtures.

Illumicare offers a 4-year warranty on all PAR36 lamps.

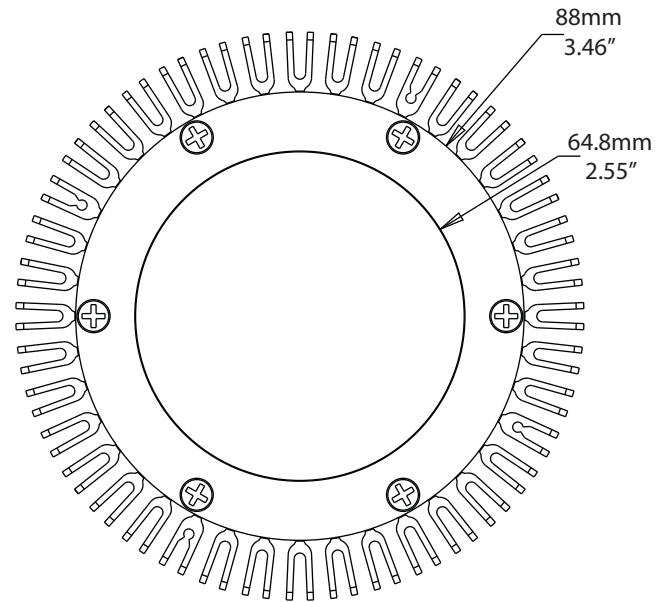
- Over Current Protection
- Reversed Polarity Protection
- Full Solid State Components

Performance Data

Input Voltage	Output Power	Operating Temperature	Operating Environment	L70
9 - 15V AC/DC	5W, 9W, 13W	35 to 40°C (95 to 104°F)	-20 to 40°C (-4 to 95°F)	40,000 Hours
Base	Luminous Flux	Color Temperature (CCT)	Beam Spreads	CRI
Screw Terminal	250lm - 750lm	3000K	15°, 30°, 45°	80 - 85%

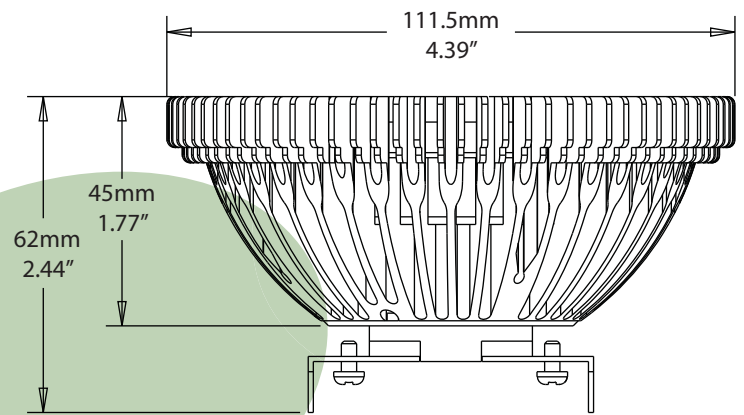
Main Features

- > Base: PAR36 Screw Terminal (direct replacement for PAR36 halogen lamp)
- > Dimensions: 111.5 mm x 62 mm
- > Input Voltage: 12V AC or DC (will operate between 9v to 15v AC)
- > Light Source: 3, 5 or 7 x 2W CREE XR-E Power LED
- > Output Power: 5.2W, 9.3W, 13.1W
- > Light Output: 250 to 750 Lumens
- > Lens Beam Angle: 45° Flood, 30° Narrow Flood, or 15° Spot.
- > Colour Temperature: 3000K (Warm White)
- > CRI: 80-85%
- > Ambient Operating Temperature: -20°C to 40°C
- > Junction Temperature: 35°C
- > Surface Temperature of Lamp: 33°C
- > Ingress Protection: IP68
- > L70 Rating (effective lamp life): 40,000 Hours*
- > Product Standards: CE & ROHS



Environmental Specifications

- > Environmental Temperature Range Ambient: -20°C to 40°C
- > Humidity Range 0 to 95% non-condensing humidity



Typical Applications

- > Landscape Lighting
- > Architectural Lighting
- > General Interior Lighting
- > Commercial Applications

*LED life is defined as period to 70% lumen maintenance (L70)

PAR36 LED Lamp Photometrics

Available in SP (Spot), NFL (Narrow Flood), and FL (Flood)

PAR36 CREE 15° Spot

Distance	Spread	Foot Candles		
		3 LED	5 LED	7 LED
2ft	0.53	1000.00	1377.50	1827.50
4ft	1.05	250.00	344.40	456.90
6ft	1.58	111.1	153.10	203.10
8ft	2.11	62.50	86.10	114.20
10ft	2.63	40.00	55.10	73.10
12ft	3.16	27.80	38.30	50.80
14ft	3.69	20.40	28.10	37.30
16ft	4.21	15.60	21.50	28.60
18ft	4.74	12.30	17.00	22.60
20ft	5.27	10.00	13.80	18.30
22ft	5.79	8.30	11.40	15.10
24ft	6.32	6.90	9.60	12.70
26ft	6.85	5.90	8.20	10.80
28ft	7.37	5.10	7.00	9.30
30ft	7.90	4.40	6.10	8.10

PAR36 CREE 30° Narrow Flood

Distance	Spread	Foot Candles		
		3 LED	5 LED	7 LED
2ft	1.07	612.50	625.00	1167.50
4ft	2.14	153.10	156.30	291.90
6ft	3.22	68.10	69.40	129.70
8ft	4.29	38.30	39.10	73.00
10ft	5.36	24.50	25.00	46.70
12ft	6.43	17.00	17.40	32.40
14ft	7.50	12.50	12.80	23.80
16ft	8.57	9.60	9.80	18.20
18ft	9.65	7.60	7.70	14.40
20ft	10.72	6.10	6.30	11.70
22ft	11.79	5.10	5.20	9.60
24ft	12.86	4.30	4.30	8.10
26ft	13.93	3.60	3.70	6.90
28ft	15.01	3.10	3.20	6.00
30ft	16.08	2.70	2.80	5.20

PAR36 CREE 45° Flood

Distance	Spread	Foot Candles		
		3 LED	5 LED	7 LED
2ft	1.66	190.00	236.3	387.50
4ft	3.31	47.50	59.10	96.90
6ft	4.97	21.10	26.30	43.10
8ft	6.63	11.90	14.80	24.20
10ft	8.28	7.60	9.50	15.50
12ft	9.94	5.30	6.60	10.80
14ft	11.60	3.90	4.80	7.90
16ft	13.25	3.00	3.70	6.10
18ft	14.91	2.39	2.90	4.80
20ft	16.57	1.90	2.40	3.90
22ft	18.23	1.60	2.00	3.20
24ft	19.88	1.30	1.60	2.70
26ft	21.54	1.10	1.40	2.30
28ft	23.20	1.00	1.20	2.00
30ft	24.85	0.80	1.10	1.70



Why Illumicare?

Illumicare Group Limited is a privately held LED research and development firm. For over 15 years, Illumicare's lighting professionals have specialized in developing and supplying high-efficiency lighting for commercial and outdoor use.

As a manufacturer of innovative LED products, our focus is eliminating the barriers involved in engineering superior LED lighting technologies and adapting to environmental demands to produce an innovative, energy-efficient lamp for both new and retrofit lighting installations.

