

SYMPHONY HARDSCAPE INTEGRATED LED LUMINAIRES

Mozart is a directional integrated LED luminaire which casts a subtle warm white light. This small round fixture features an angled lens and a stainless steel finish.

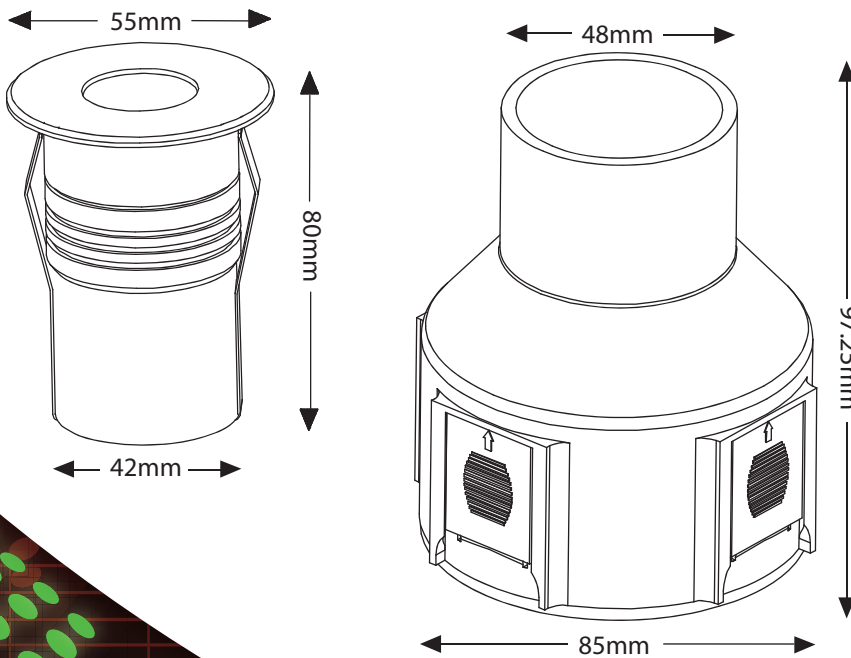
Mozart LEDs have a minimum illumination of 1 meter (3 feet) and include an ABS pour sleeve to assist in installation and anchoring of the luminaire body.

With interchangeable optics to increase or decrease the light intensity, Mozart is perfect for illuminating small accents, garden or pond edges, and stone or brick walls.

These durable and versatile luminaires can also be used to illuminate vertical surfaces, such as borders, low walls, steps, sunken seating areas, or fences.

Luminaire Mounting

Mozart can be installed in concrete, natural stone, pavers, brick, and wood. The ABS pour sleeve can be positioned and wired before installing the LED body.



MOZART

Directional, In-Grade, Stainless Steel
<i>Lumens:</i> 107 lumens
<i>Wattage:</i> 2.5 Watts
<i>Color Temp:</i> 3000K (Warm White)
<i>Lens:</i> Angled .75" Tempered Glass
<i>Dimensions:</i> 2.5" x 2.5", Body: 3.25" x 1.6"
<i>Wire:</i> 12" UL Listed 18/2 Lead Wire
<i>Weight:</i> 1 lb
<i>Includes:</i> Interchangeable Optics & ABS Pour Sleeve & Cap
<i>IP Rating:</i> IP67
<i>Power:</i> 12V